

REMER

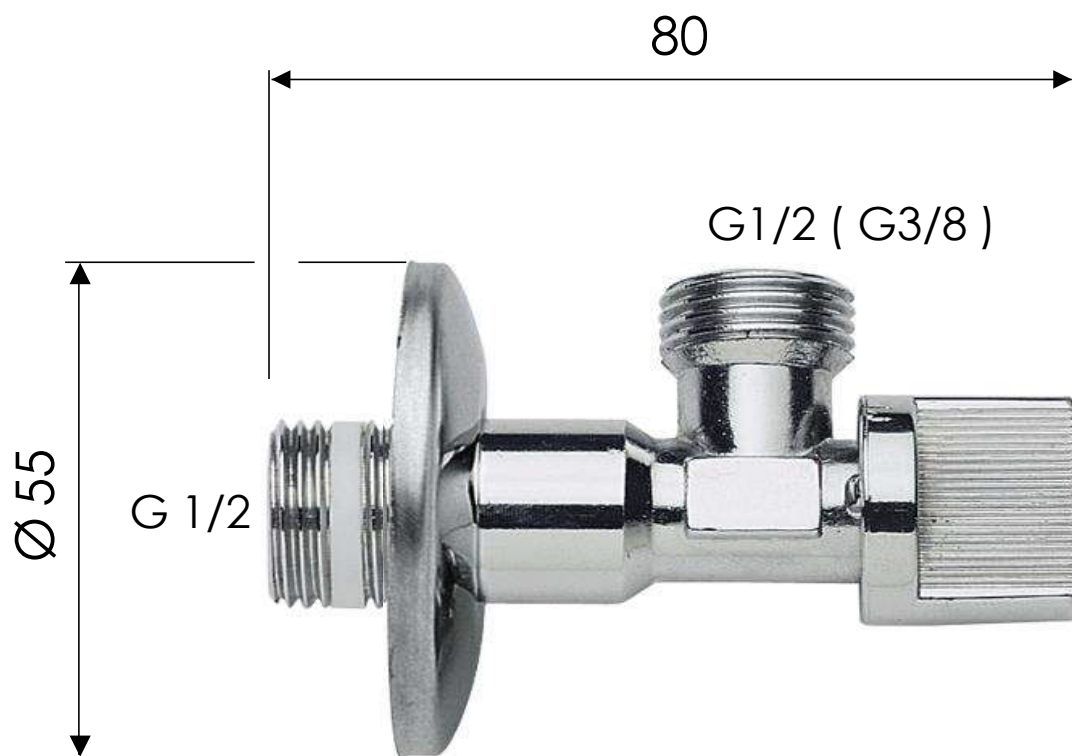
RUBINETTERIE

SCHEDA TECNICA

ART. COD.

TECHNICAL FEATURES

128R



Rubinetto a sfera con guarnizione in PTFE
C.P. brass ball valve with PTFE washer

MATERIALI / MATERIALS

OTTONE CROMATO / CHROME PLATED BRASS
CW617N - CW614N

CROMATURA / CHROME PLATING

UNI EN 248

Via Leonardo da Vinci 83 - 20062 Cassano d'Adda (MI) Italy - Tel. +39-0363 364211

info@remer.eu www.remer.eu