

REMER

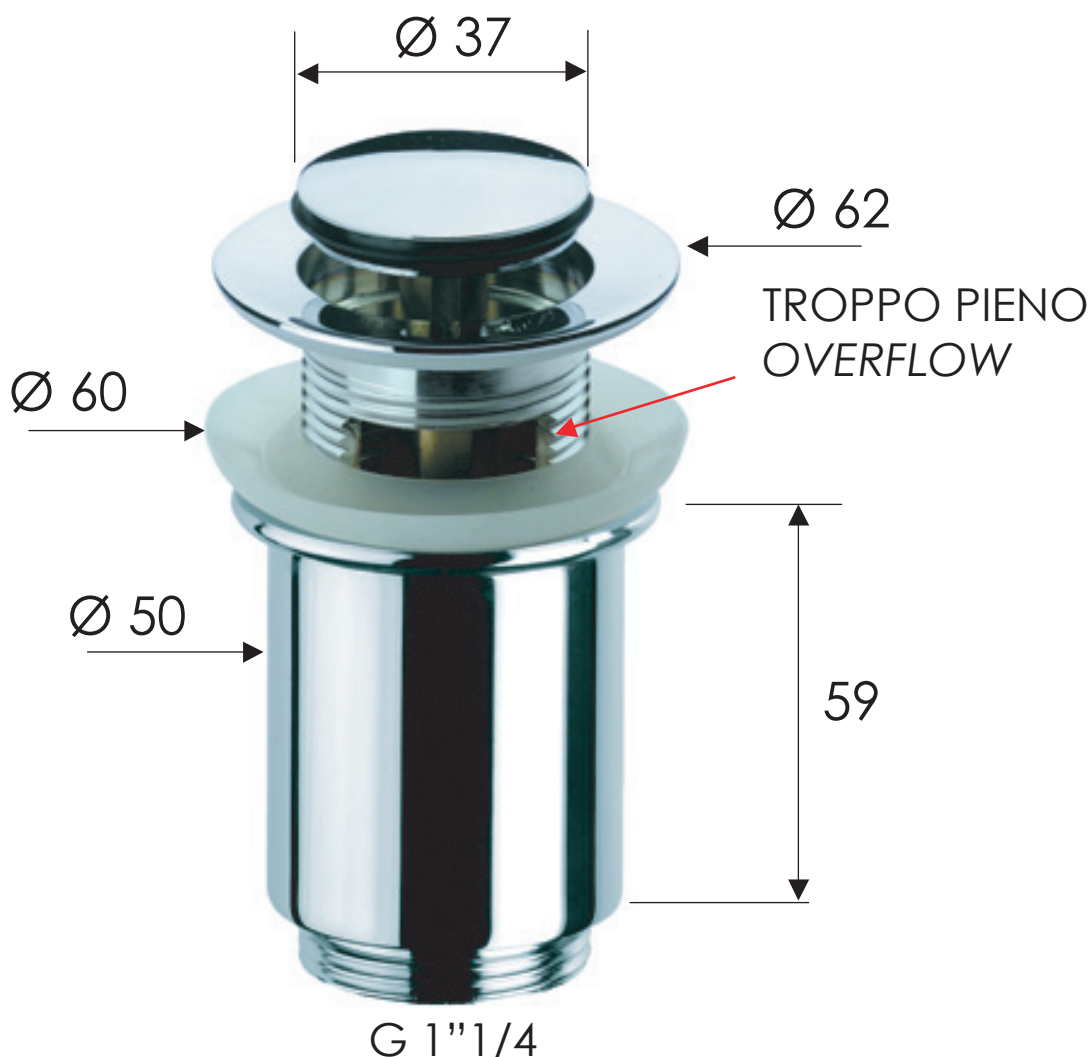
RUBINETTERIE

SCHEDA TECNICA

TECHNICAL FEATURES

ART. COD.

906CC



SCARICO AUTOMATICO CON SISTEMA CLICK-CLACK E TROPPO PIENO
AUTOMATIC POP-WASTE CLICK-CLACK SYSTEM AND OVERFLOW

MATERIALI / MATERIALS

OTTONE CROMATO / CHROME PLATED BRASS

CROMATURA / CHROME PLATING

UNI EN 248

Via Leonardo da Vinci 83 - 20062 Cassano d'Adda (MI) Italy - Tel. +39-0363 364211

info@remer.eu www.remer.eu