

# REMER

RUBINETTERIE

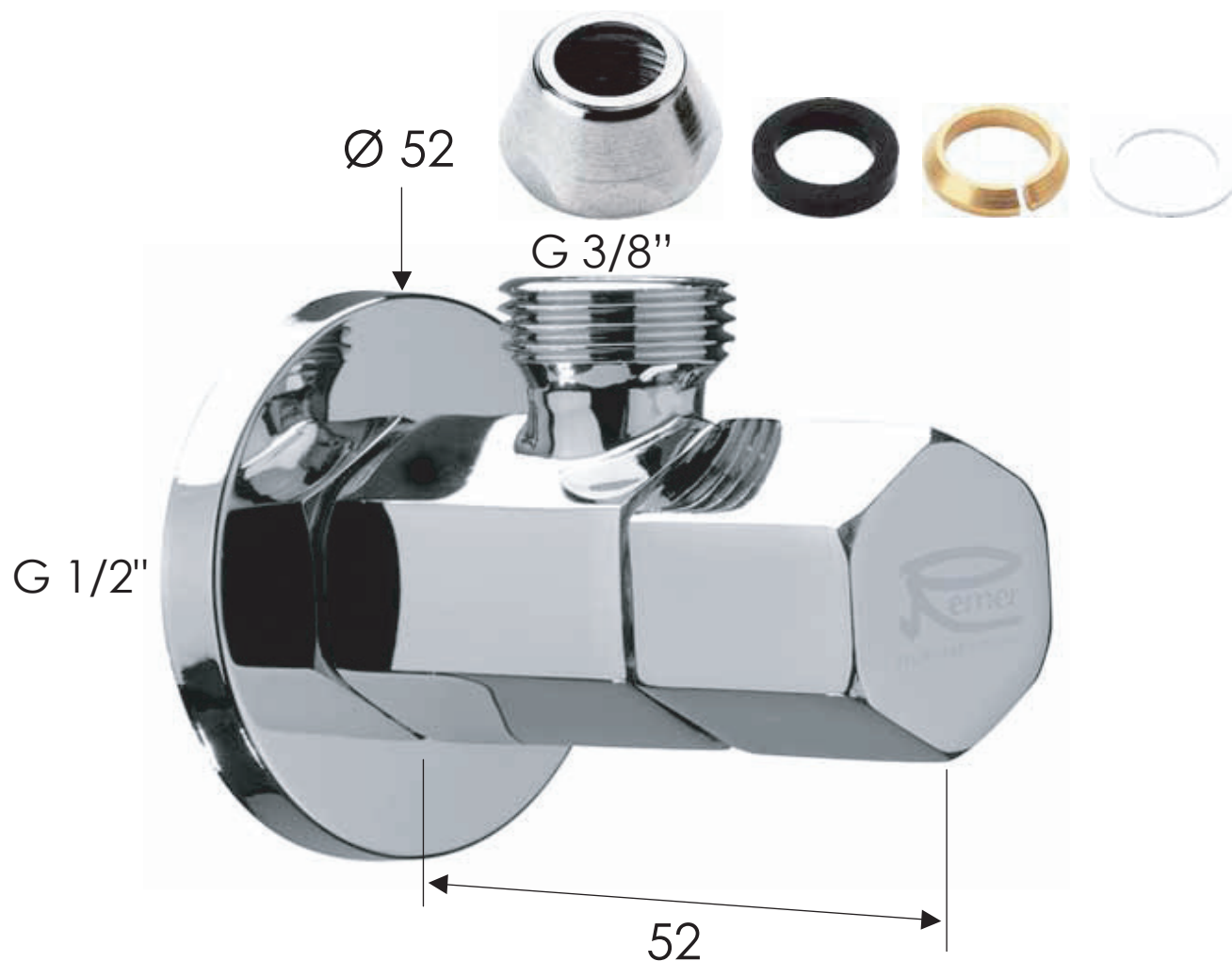
SCHEDA TECNICA

TECHNICAL FEATURES

ART. COD.

**128E1210**

TUBO Ø10mm  
TUBE Ø10mm



**MATERIALI / MATERIALS**

OTTONE CROMATO / CHROME PLATED BRASS

**CROMATURA / CHROME PLATING**

UNI EN 248

Via Leonardo da Vinci 83 - 20062 Cassano d'Adda (MI) Italy - Tel. +39-0363 364211

[info@remer.eu](mailto:info@remer.eu) [www.remer.eu](http://www.remer.eu)