

REMER

SCHEDA TECNICA

TECHNICAL FEATURES

RUBINETTERIE

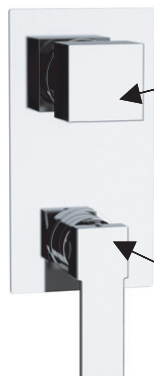
ART. COD.

Q94

G1/2

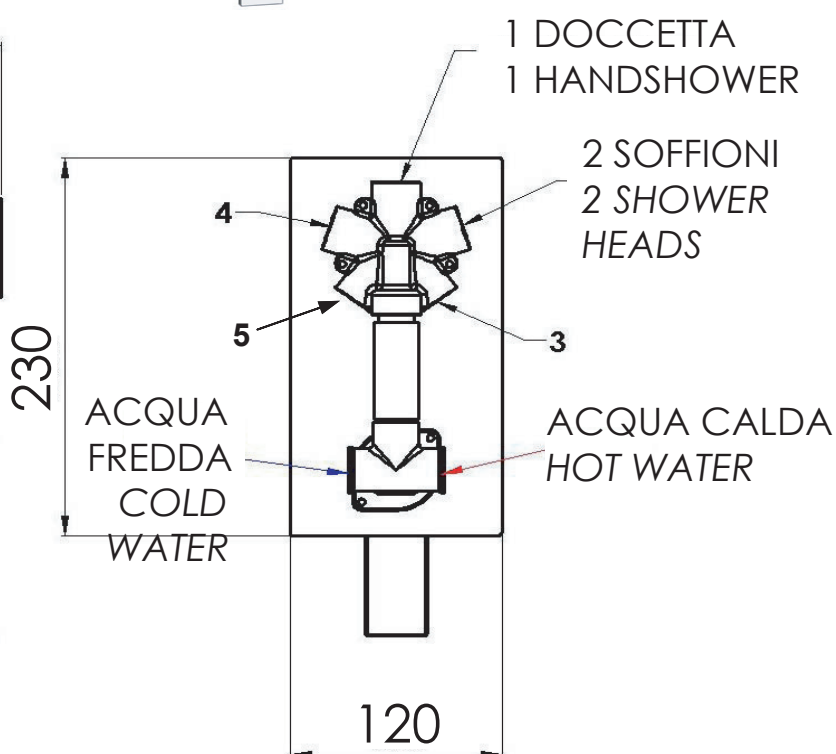
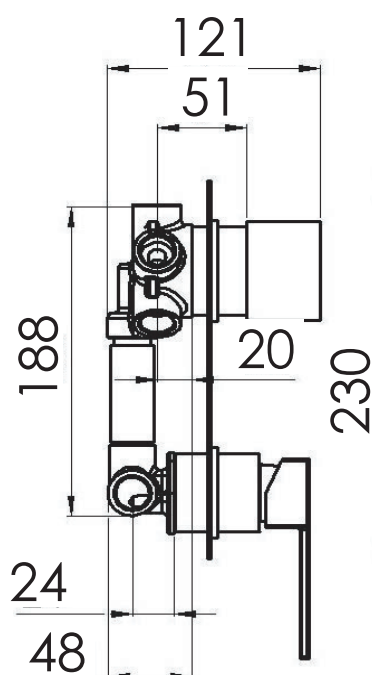


G1/2



DEVIATORE 4 VIE
4 OUTLETS DIVERTER

MISCELATORE
MIXER



P. MIN. = 3 bar

MATERIALI / MATERIALS

OTTONE CROMATO / CHROME PLATED BRASS

CROMATURA / CHROME PLATING

UNI EN 248

Via Leonardo da Vinci 83 - 20062 Cassano d'Adda (MI) Italy - Tel. +39-0363 364211

info@remer.eu

www.remer.eu