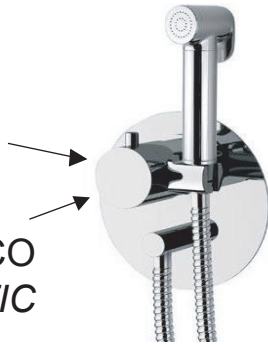


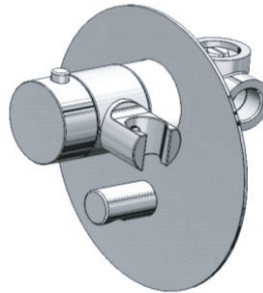
2 MANIGLIE
COASSIALI
2 COAXIAL
HANDLES

T° STOP 38°C

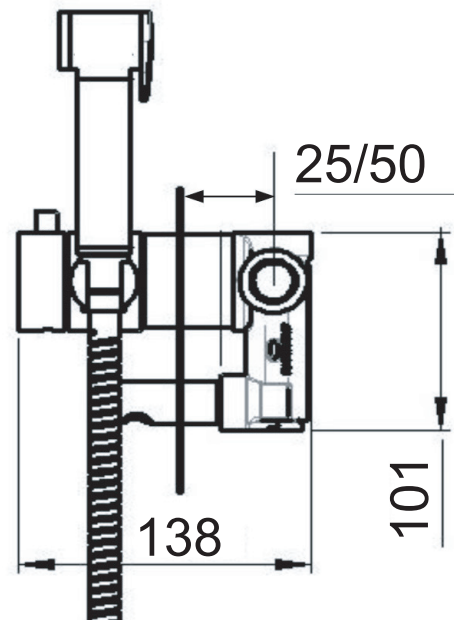
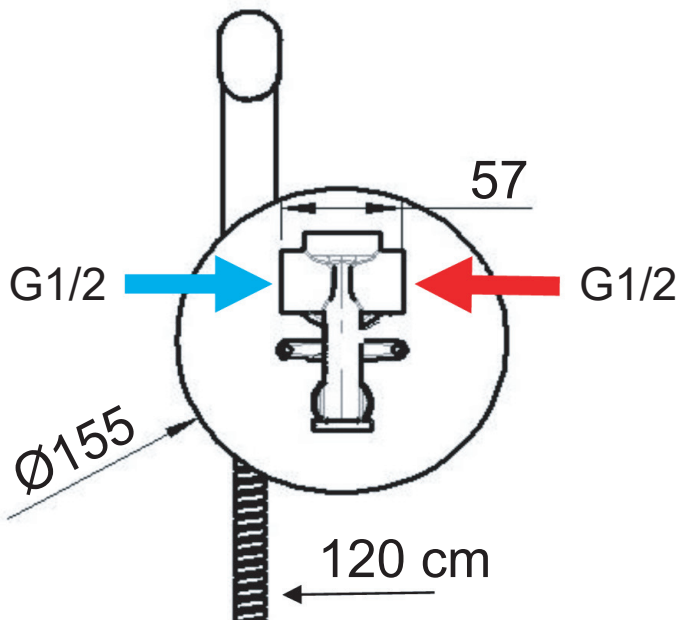
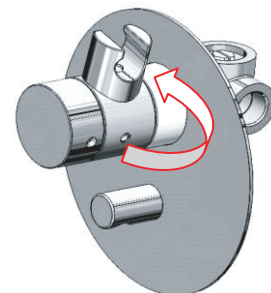
TERMOSTATICO
THERMOSTATIC



FLUSSO CHIUSO
CLOSED FLOW



FLUSSO APERTO
OPEN FLOW



MATERIALI / MATERIALS

OTTONE CROMATO / CHROME PLATED BRASS

CROMATURA / CHROME PLATING

UNI EN 248