

# REMER

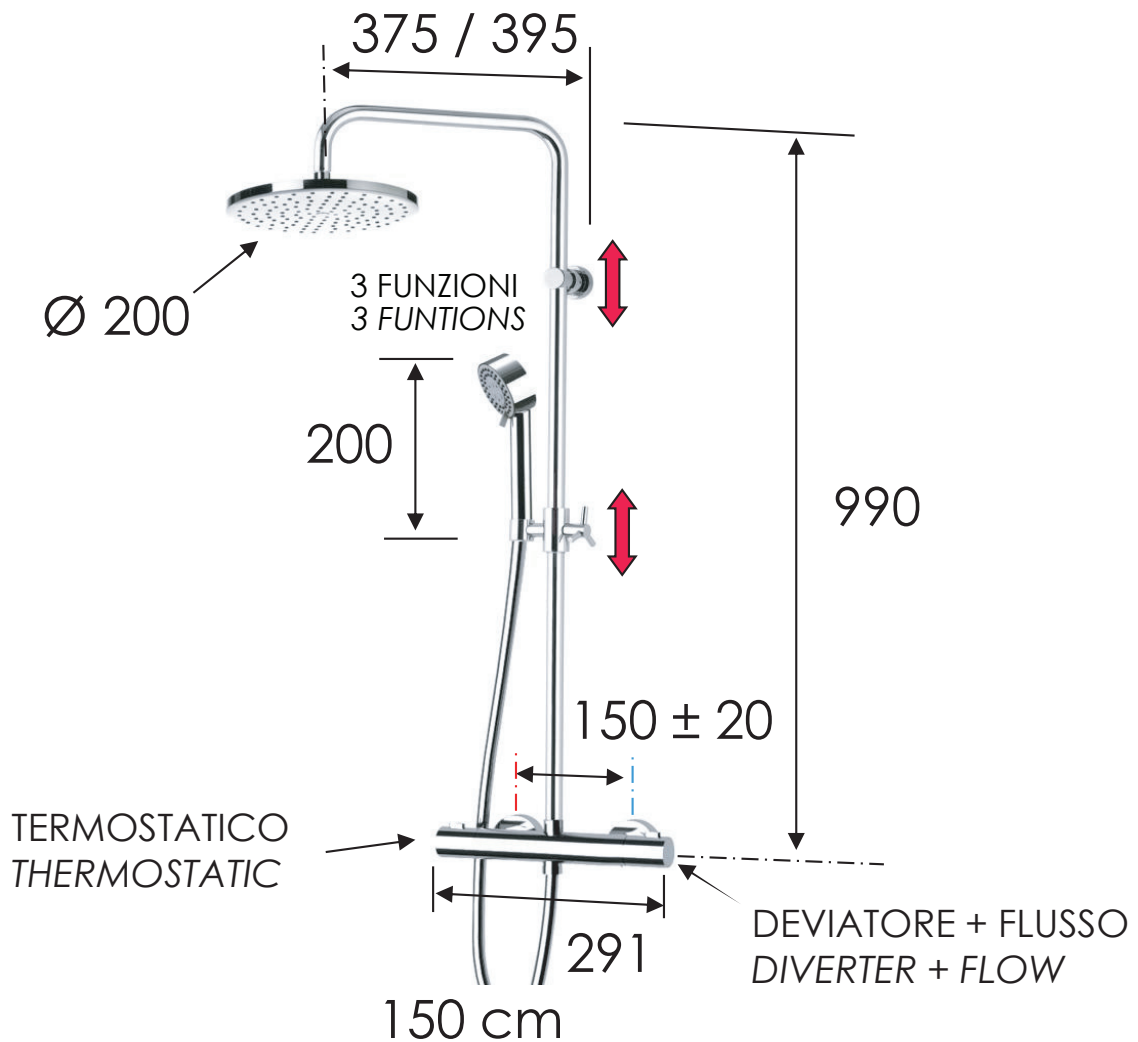
RUBINETTERIE

SCHEDA TECNICA

TECHNICAL FEATURES

ART. COD.

**EQ37330FG**



|                      |      |      |    |    |      |       |
|----------------------|------|------|----|----|------|-------|
| PRESSIONE / PRESSURE | 1    | 2    | 3  | 4  | 5    | bar   |
| PORTATA / FLOW       | 10,5 | 13,5 | 16 | 19 | 21,5 | l/min |
| PORTATA / FLOW       | 10   | 13   | 15 | 17 | 19   | l/min |

## MATERIALI / MATERIALS

OTTONE CROMATO / CHROME PLATED BRASS

CROMATURA / CHROME PLATING

UNI EN 248

Via Leonardo da Vinci 83 - 20062 Cassano d'Adda (MI) Italy - Tel. +39-0363 364211

[info@remer.eu](mailto:info@remer.eu)

[www.remer.eu](http://www.remer.eu)